



US 20230286622A1

(19) **United States**

(12) **Patent Application Publication**  
**BUTTLES et al.**

(10) **Pub. No.: US 2023/0286622 A1**

(43) **Pub. Date: Sep. 14, 2023**

(54) **ADVANCED CEMENTITIOUS COMPOSITE  
FLOATING PLATFORMS AND METHOD OF  
MANUFACTURE**

*B63B 73/40* (2006.01)

*B63B 5/14* (2006.01)

(71) Applicant: **Texas Wind Tower Co.**, Dallas, TX  
(US)

(52) **U.S. Cl.**

CPC ..... *B63B 73/50* (2020.01); *B63B 35/44*  
(2013.01); *B63B 73/40* (2020.01); *B63B 5/14*  
(2013.01); *B63B 2035/446* (2013.01)

(72) Inventors: **John BUTTLES**, Los Angeles, CA  
(US); **Jordan Michael POWELL**,  
Tyler, TX (US); **David PIGRAM**,  
Sydney (AU)

(57) **ABSTRACT**

Semi-submersible wind turbine platforms capable of float-  
ing on a body of water and supporting wind turbines, and a  
method of manufacturing the semi-submersible wind turbine  
platforms from advanced cementitious composite material  
are provided. The method includes determining at a first  
iteration topological outputs of the wind turbine platform  
including a plurality of modular sections consisting of an  
advanced cementitious composite (ACC) material, obtain-  
ing a second iteration from the topological outputs, the  
second iteration including a second model platform and a  
second model tower of the wind turbine platform, and  
obtaining addition iterations via simulation to attain a final  
model platform and a final model tower, the final model  
platform and the final model tower including a layout of the  
plurality of modular sections and connections for a platform  
and a tower of the wind turbine platform.

(21) Appl. No.: **18/181,384**

(22) Filed: **Mar. 9, 2023**

**Related U.S. Application Data**

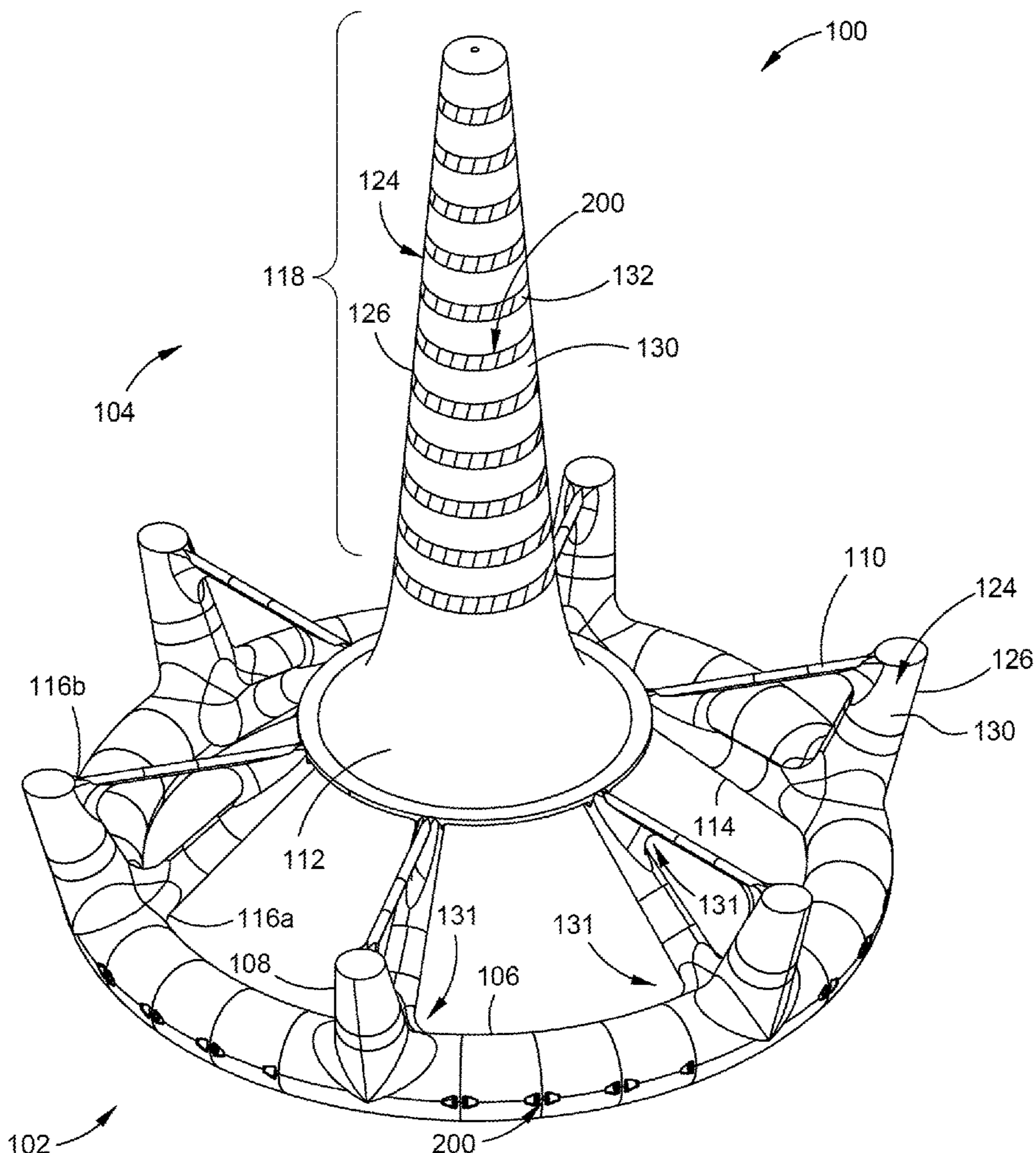
(60) Provisional application No. 63/269,070, filed on Mar.  
9, 2022.

**Publication Classification**

(51) **Int. Cl.**

*B63B 73/50* (2006.01)

*B63B 35/44* (2006.01)



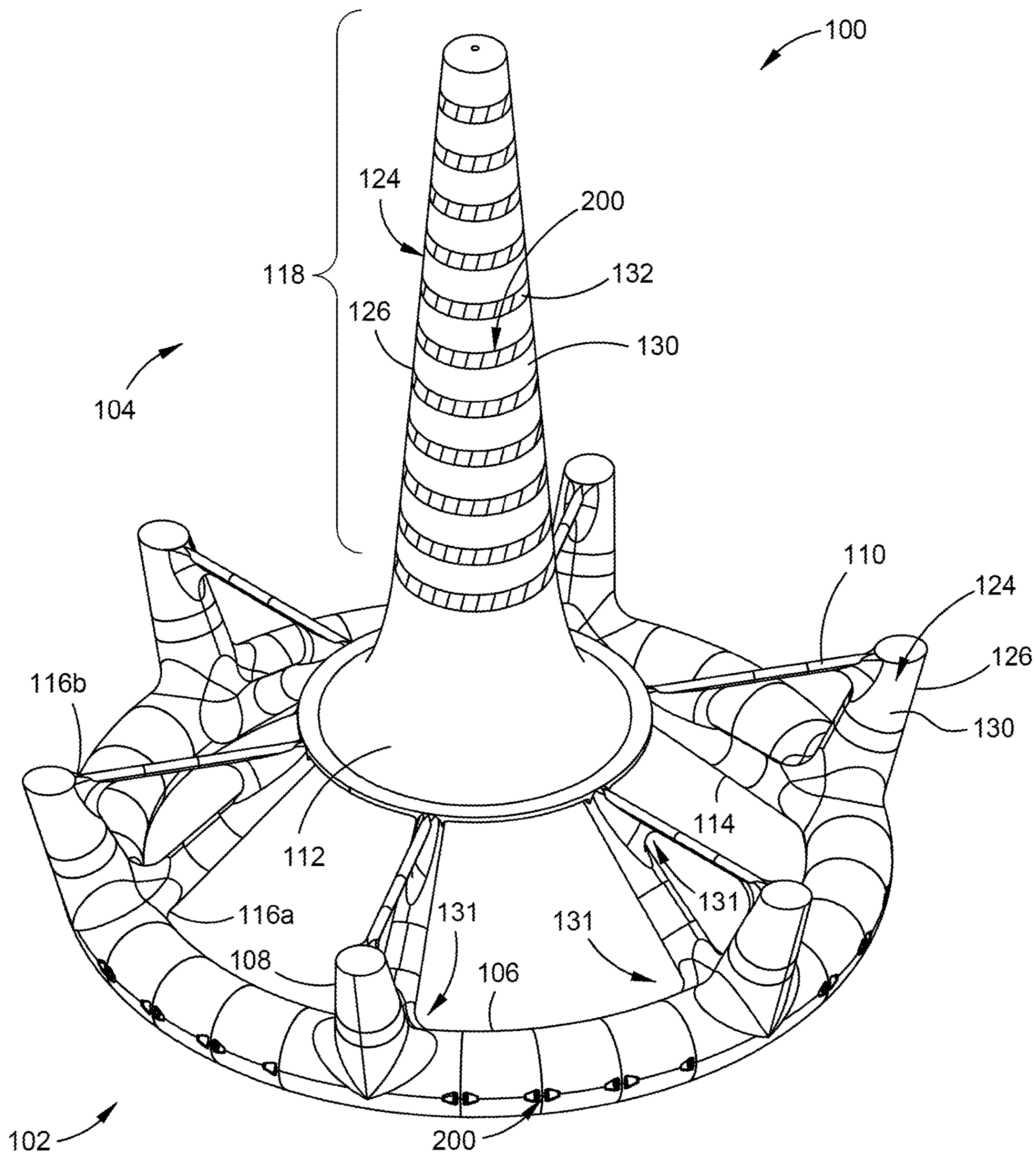
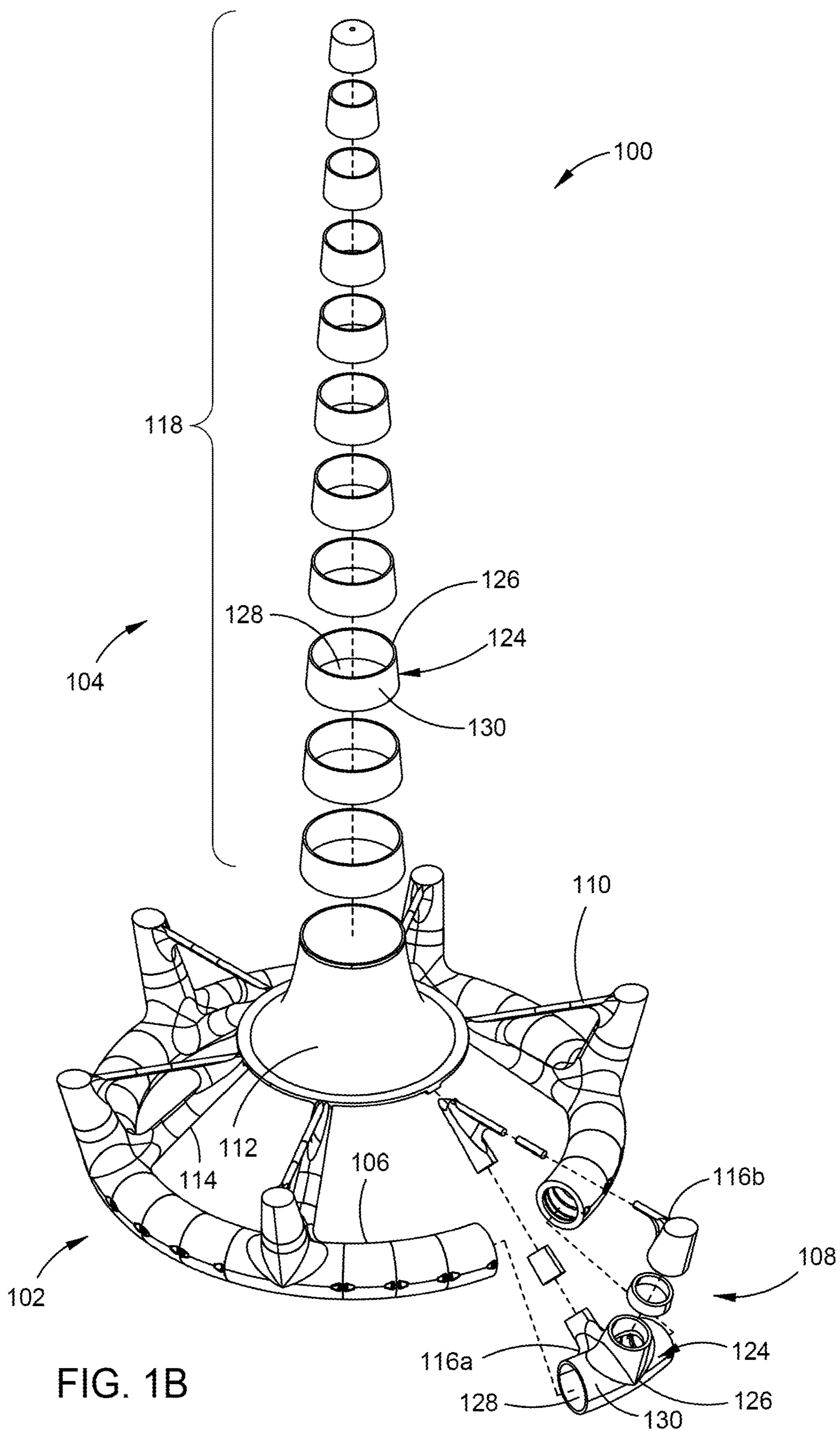


FIG. 1A





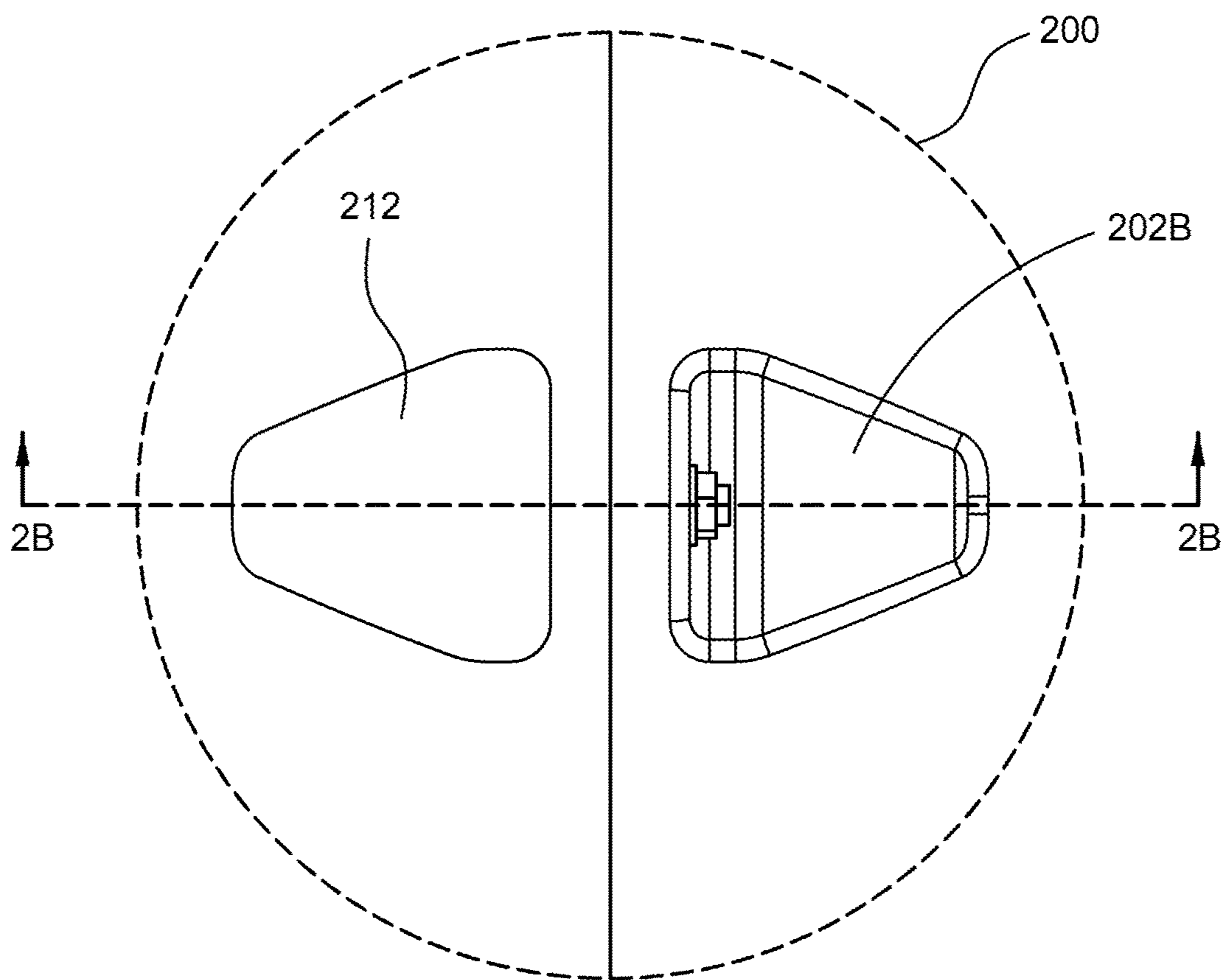


FIG. 2A

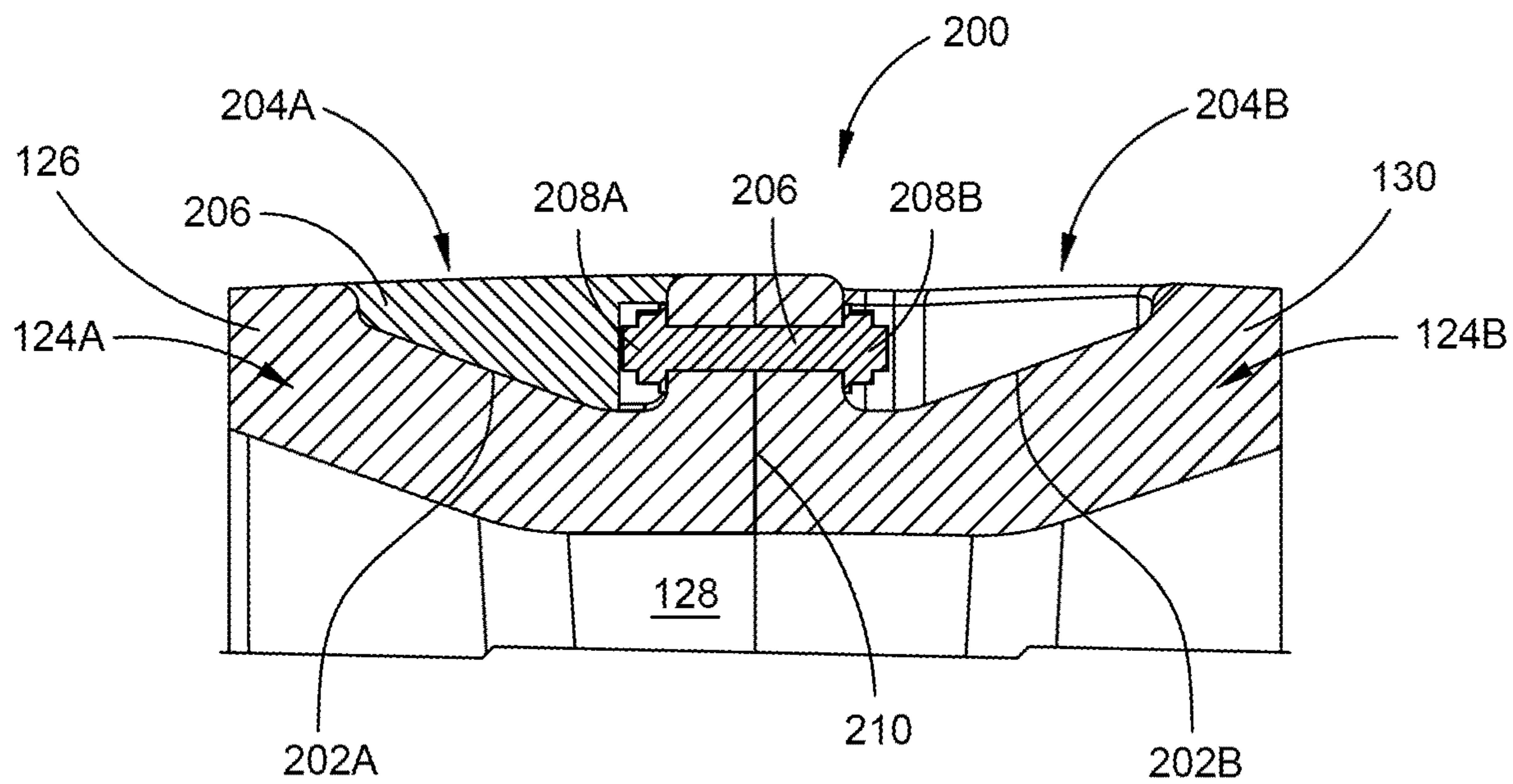


FIG. 2B

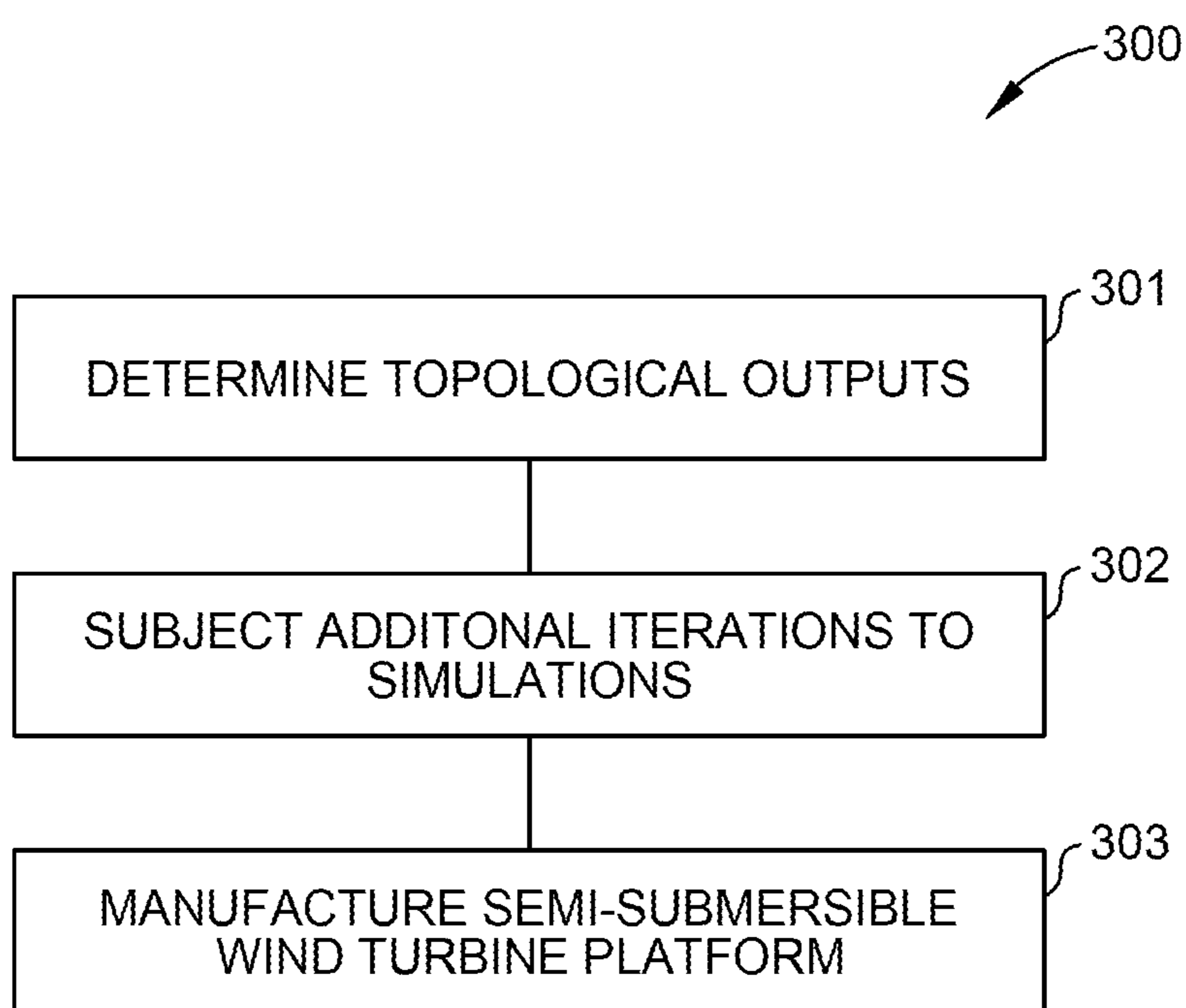


FIG. 3

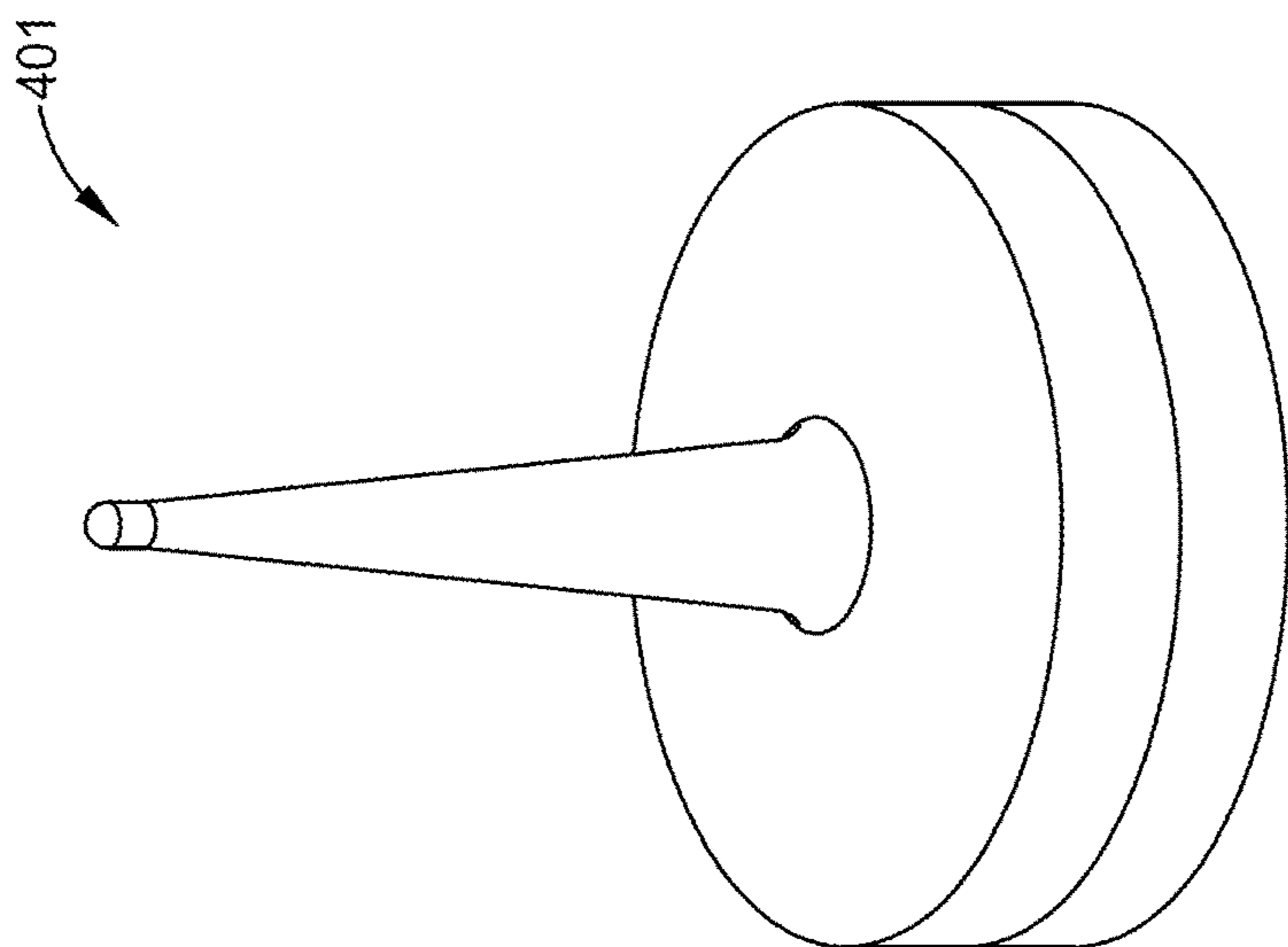


FIG. 4A

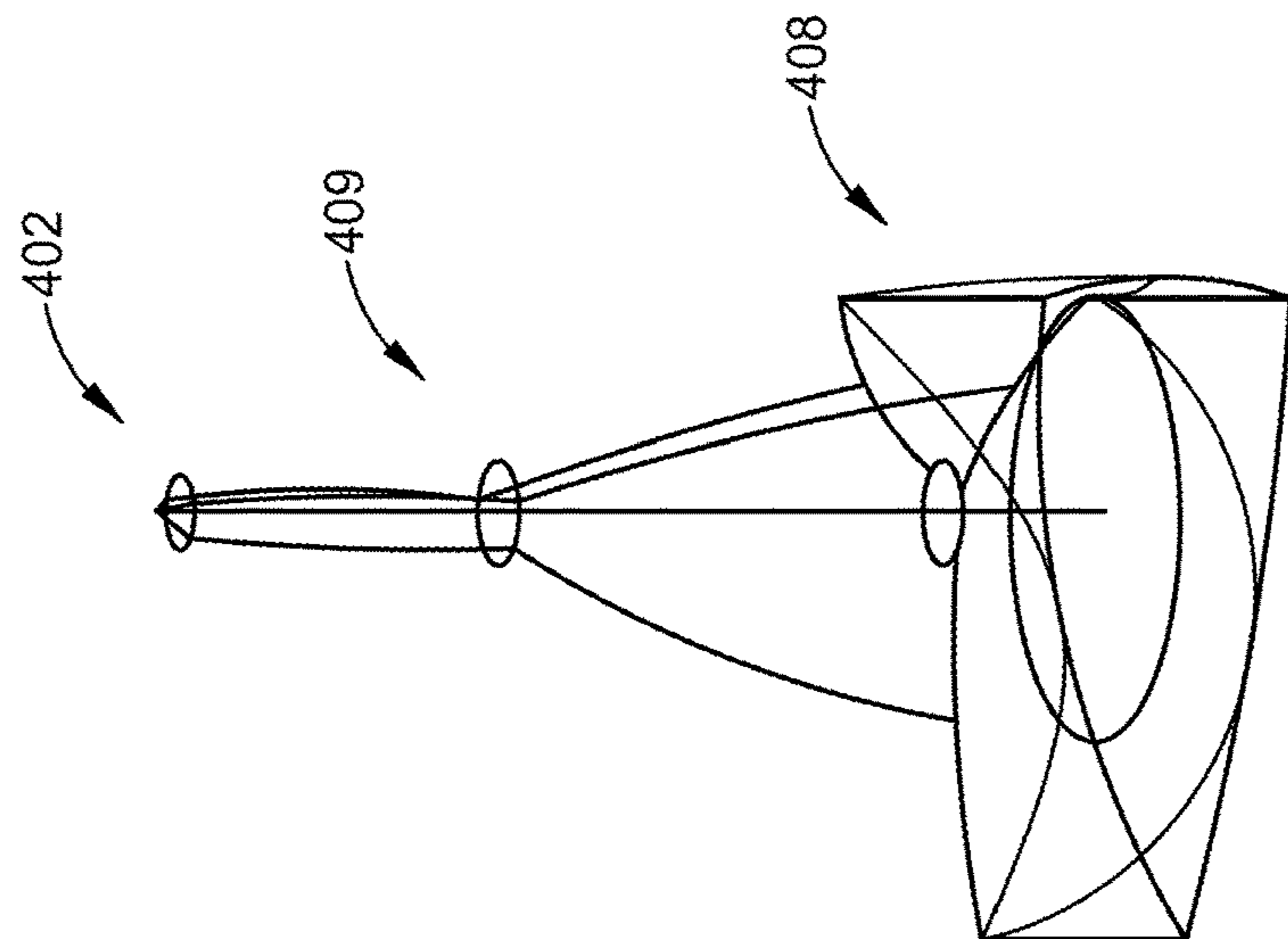


FIG. 4B

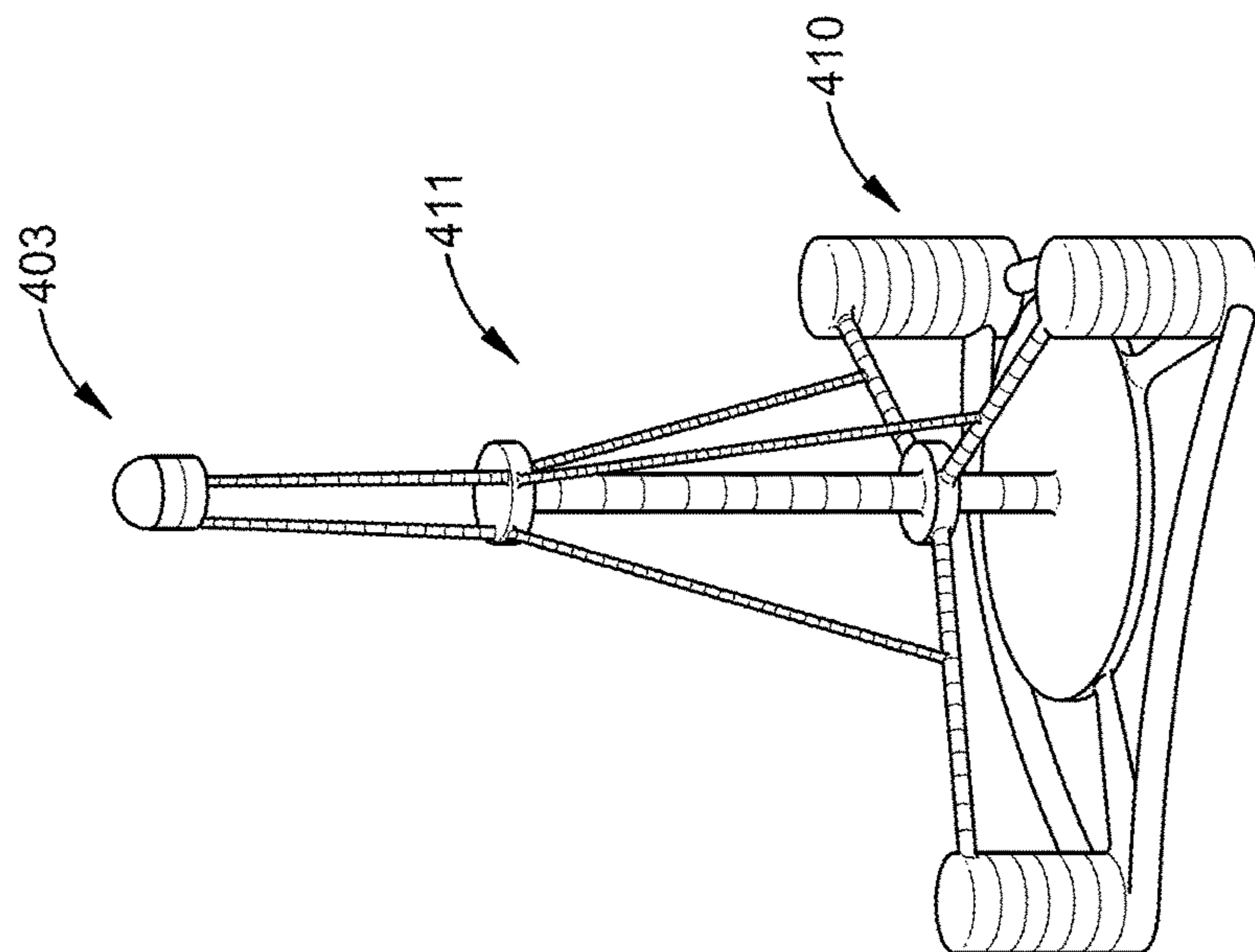


FIG. 4C

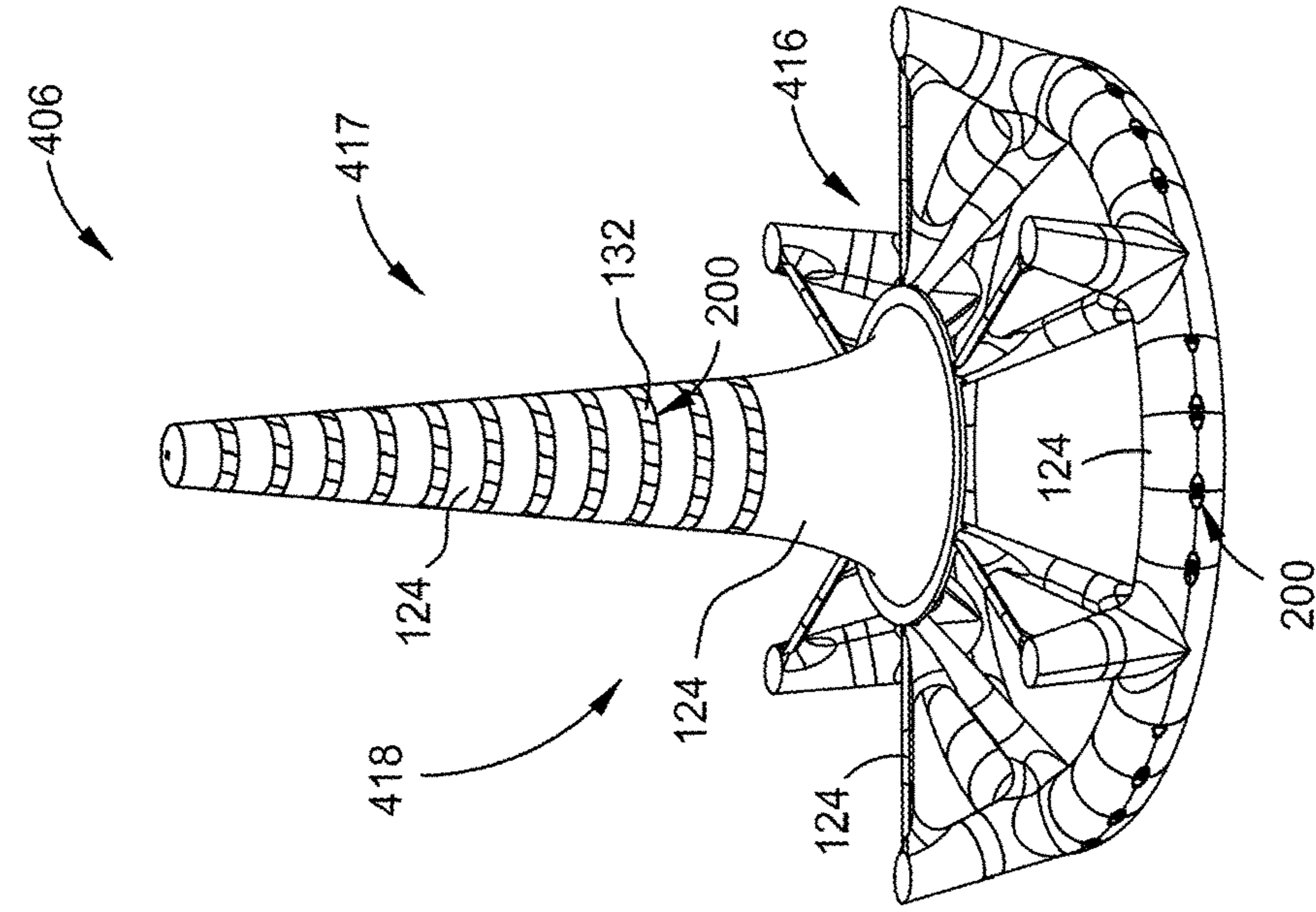


FIG. 4E

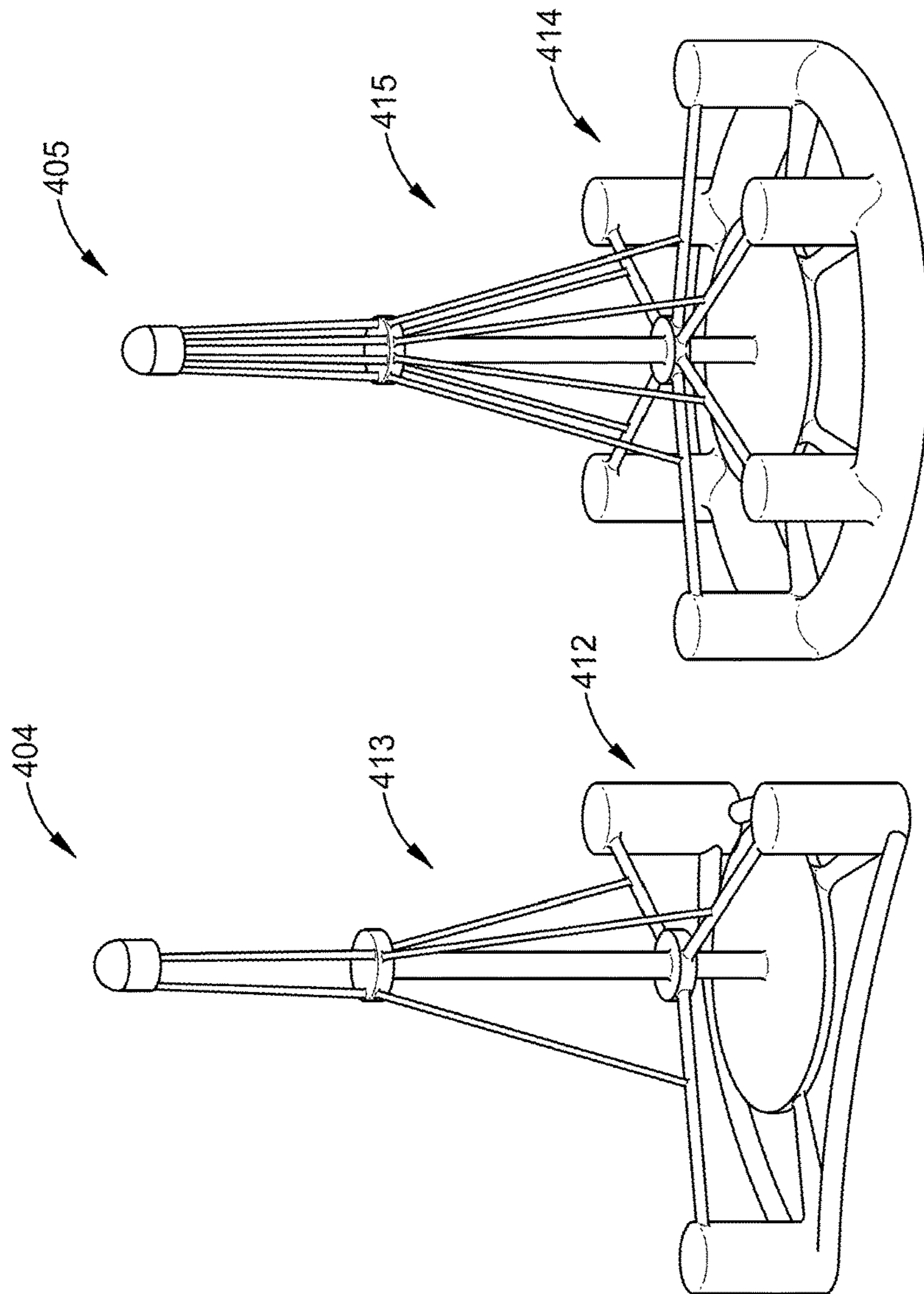


FIG. 4D

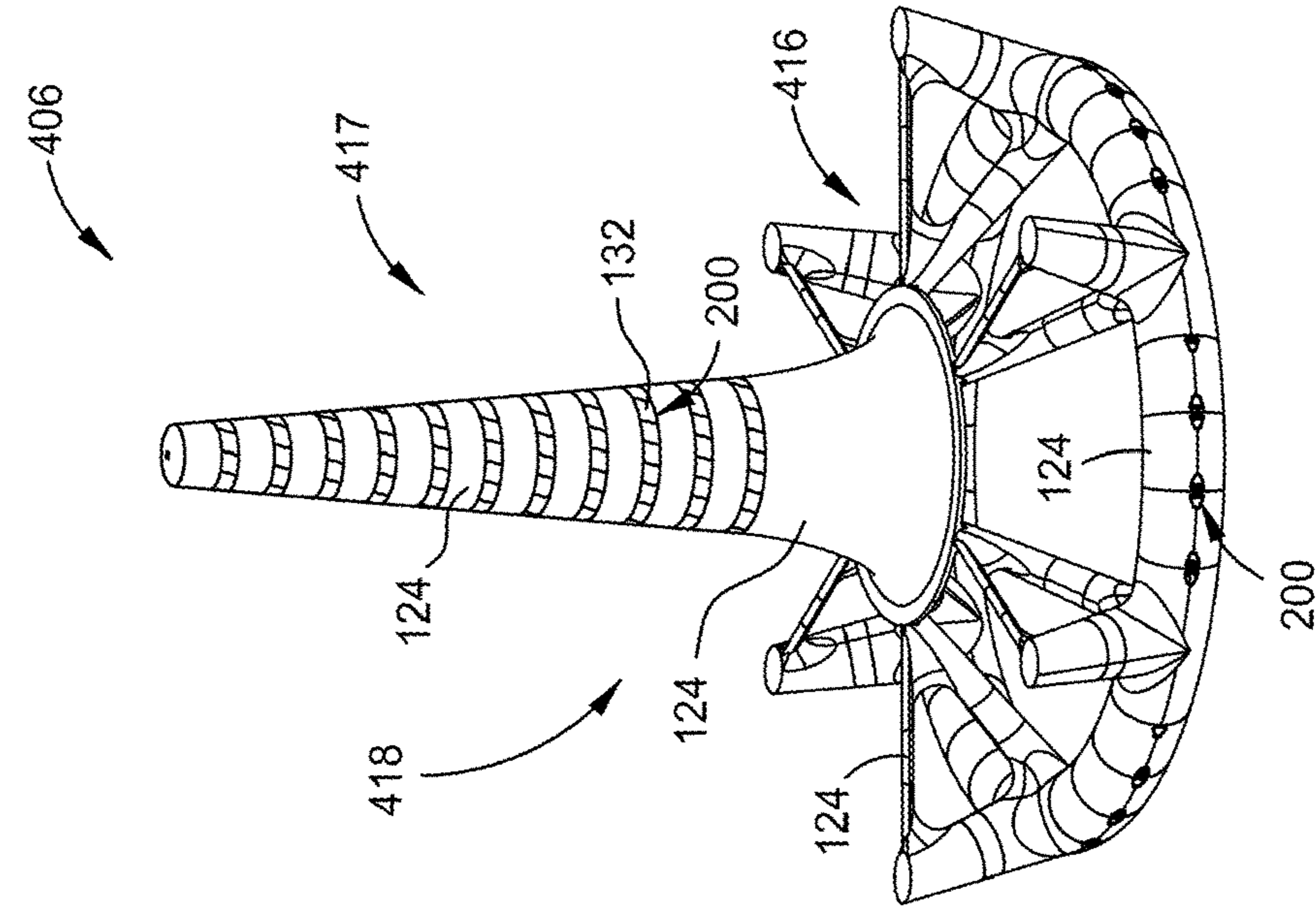


FIG. 4F



**ADVANCED CEMENTITIOUS COMPOSITE  
FLOATING PLATFORMS AND METHOD OF  
MANUFACTURE**

CROSS-REFERENCE TO RELATED  
APPLICATIONS

**[0001]** This application claims priority to U.S. Provisional Patent Application Ser. No. 63/269,070, filed on Mar. 9, 2022, which herein is incorporated by reference.

BACKGROUND

Field

**[0002]** Embodiments of the present disclosure generally relate to wind turbine platforms. More specifically, embodiments described herein relate semi-submersible wind turbine platforms capable of floating on a body of water and supporting wind turbines, and a method of manufacturing the semi-submersible wind turbine platforms from advanced cementitious composite material.

Description of the Related Art

**[0003]** It is desirable for groups of wind turbines to be located offshore where the water is over 60 meters deep such that flow of air to the wind turbines is not likely to be disturbed by the presence of various obstacles (i.e., as hills, woods, and buildings) resulting in higher mean wind speeds and more power. Currently, the fixed foundations required to attach wind turbines to the seabed in such deep water are not likely economically feasible. This limitation has led to the development of floating platforms for wind turbines. Accordingly, what is needed in the art are semi-submersible wind turbine platforms capable of floating on a body of water and supporting wind turbines, and a method of manufacturing the semi-submersible wind turbine platforms from advanced cementitious composite material.

SUMMARY

**[0004]** In one embodiment, a method of manufacturing a wind turbine platform is provided. The method includes determining at a first iteration topological outputs of the wind turbine platform including a plurality of modular sections consisting of an advanced cementitious composite (ACC) material. The topological outputs include one or more of a maximum weight, wind load cases, a minimum global stress, a base diameter, a center of gravity, or a mass. The method further includes obtaining a second iteration from the topological outputs, the second iteration including a second model platform and a second model tower of the wind turbine platform, obtaining a third iteration by subjecting the second iteration to simulation, the second iteration including a third model platform and a third model tower of the wind turbine platform, the third model platform and the third model tower include components or component dimensions different than the second model platform and the second model tower, and obtaining addition iterations via simulation to attain a final model platform and a final model tower, the final model platform and the final model tower including a layout of the plurality of modular sections and connections for a platform and a tower of the wind turbine platform.

**[0005]** In another embodiment, a method of manufacturing a wind turbine platform is provided. The method

includes determining at a first iteration topological outputs of the wind turbine platform including a plurality of modular sections consisting of an advanced cementitious composite (ACC) material, obtaining a second iteration from the topological outputs, the second iteration including a second model platform and a second model tower of the wind turbine platform, obtaining a third iteration by subjecting the second iteration to simulation, the second iteration including a third model platform and a third model tower of the wind turbine platform, the third model platform and the third model tower include components or component dimensions different than the second model platform and the second model tower, and obtaining addition iterations via simulation to attain a final model platform and a final model tower, the final model platform and the final model tower including a layout of the plurality of modular sections and connections for a platform and a tower of the wind turbine platform, fabricating the modular sections of ACC material, and coupling the modular sections together with the connections according to layout of the final model platform and the final model tower.

**[0006]** In yet another embodiment, a method of manufacturing a wind turbine platform is provided. The method includes determining at a first iteration topological outputs of the wind turbine platform including a plurality of modular sections consisting of an advanced cementitious composite (ACC) material. The topological outputs include one or more of a maximum weight, wind load cases, a minimum global stress, a base diameter, a center of gravity, or a mass. The method further includes obtaining a second iteration from the topological outputs, the second iteration including a second model platform and a second model tower of the wind turbine platform, obtaining a third iteration by subjecting the second iteration to simulation, the second iteration including a third model platform and a third model tower of the wind turbine platform, the third model platform and the third model tower include components or component dimensions different than the second model platform and the second model tower, and obtaining addition iterations via simulation to attain a final model platform and a final model tower, the final model platform and the final model tower including a layout of the plurality of modular sections and connections for a platform and a tower of the wind turbine platform, fabricating the modular sections of ACC material, and coupling the modular sections together with the connections according to layout of the final model platform and the final model tower.

BRIEF DESCRIPTION OF THE DRAWINGS

**[0007]** So that the manner in which the above recited features of the present disclosure can be understood in detail, a more particular description of the disclosure, briefly summarized above, may be had by reference to embodiments, some of which are illustrated in the appended drawings. It is to be noted, however, that the appended drawings illustrate only exemplary embodiments and are therefore not to be considered limiting of its scope, and may admit to other equally effective embodiments.

**[0008]** FIG. 1A is a planar view of a semi-submersible wind turbine platform according to embodiments described herein.

**[0009]** FIG. 1B is an exploded view of a semi-submersible wind turbine platform according to embodiments described herein.

[0010] FIG. 1C is a side view of a semi-submersible wind turbine platform according to embodiments described herein.

[0011] FIG. 2A is a schematic view of a connection according to embodiments described herein.

[0012] FIG. 2B is a schematic, cross-sectional view of a connection according to embodiments described herein.

[0013] FIG. 3 is a flow diagram of a method of manufacturing semi-submersible wind turbine platforms according to embodiments described herein.

[0014] FIGS. 4A-4F are schematic illustrations view iterations of a design of a semi-submersible wind turbine platform during the method according to embodiments described herein.

[0015] To facilitate understanding, identical reference numerals have been used, where possible, to designate identical elements that are common to the figures. It is contemplated that elements and features of one embodiment may be beneficially incorporated in other embodiments without further recitation.

#### DETAILED DESCRIPTION

[0016] Embodiments of the present disclosure generally relate to wind turbine platforms. More specifically, embodiments described herein relate to semi-submersible wind turbine platforms capable of floating on a body of water and supporting wind turbines, and a method of manufacturing the semi-submersible wind turbine platforms from advanced cementitious composite material.

[0017] FIG. 1A is a planar view of a semi-submersible wind turbine platform 100. FIG. 1B is an exploded view of the semi-submersible wind turbine platform 100. FIG. 1C is a side view of the semi-submersible wind turbine platform 100. As described herein, the semi-submersible wind turbine platform 100 is an exemplary semi-submersible wind turbine platform 100 manufactured from the method 300 of manufacturing semi-submersible wind turbine platforms from advanced cementitious composite (ACC) material 130.

[0018] The advanced cementitious composite material includes, but is not limited to, fiber-reinforced high-performance concrete (FRHPC), high-performance fiber reinforced cement composite (HPFRCC), macro defect free (MDF) concrete, multi-scale fiber-reinforced concrete (MSFRC), reactive powder concrete (RPC), steel fibrous cement-based composite (SFCBC), ultra-high performance concrete (UHPC), ultra-high performance fiber-reinforced cementitious composite (UHPFRCC), ultra-high performance fiber-reinforced concrete (UHPFRC), ultra-high strength concrete (UHSC), ultra-high strength cement-based composite, ultra-high strength cementitious material, ultra-high strength fiber-reinforced cementitious composite, combinations thereof, or the like. UHPC material is a mixture of Portland cement, silica fume, quartz flour, fine silica sand, super-plasticiser, water, and steel or organic fibers. UHPC is characterized by compressive strengths above 150 megapascals (MPa) to 200 MPa, high flexural strengths up to 45 MPa and creep coefficients of 0.2 to 1.0 which are much lower than creep coefficients of normal strength concrete. Other UHPC characteristics are a high modulus of elasticity (above 45 GPa), low capillary porosity, resulting in very low water and gas permeability, and low diffusion of chloride ions, e.g. occurring in seawater.

[0019] The design of the semi-submersible wind turbine platform 100 is optimized with the method 300 of manu-

facturing the semi-submersible wind turbine platforms from ACC material 130. The semi-submersible wind turbine platform 100 includes a platform 102. In one embodiment, the wind turbine platform 100 includes the platform 102 and a tower 104. The platform 102 and the tower 104 are formed from a plurality of modular sections 124 of ACC material 130 that are coupled to each other. The platform 102 corresponds to a final model platform 416 and the tower 104 corresponds to a final model tower 417 further described herein. The final model platform 416 and a final model tower 417 include a layout 418 of a plurality of modular sections 124 and connections 200. The connections 200 may include a fastener 206, as shown in FIG. 2B, or a cable structure 132. The cable structures 132 may be utilized for a pre-stressing process or a post-tensioning process for the fabricating the modular sections 124 or for coupling the modular sections 124 to each other.

[0020] The platform 102 includes a base 106 with a plurality of columns 108 connected. The base 106 has a hollow interior space 128 formed by each of the modular sections 124 connected together. The plurality of columns 108 are connected to a support 112 by a plurality of top beams 110. In one embodiment, the platform 102 further includes a plurality of bottom beams 114 connected to the support 112. The plurality of columns 108 are connected to a support 112 by the plurality of top beams 110 and the plurality of bottom beams 114. The plurality of bottom beams 114 are connected to a lower portion 116a of the columns 108. The plurality of top beams 110 are connected to an upper portion 116b of the columns 108. In embodiments including the tower 104, the support 112 is connected to a tower shaft 118. At least one rotor blade 120 is coupled to a hub 122. In one embodiment, as shown in FIG. 1B, the hub 122 is outward from the tower shaft 118. In another embodiment, the hub 122 is coupled on top of the tower shaft 118.

[0021] Each modular section 124 includes at least one wall 126 that defines a hollow interior space 128. Each wall 126 is formed from the ACC material 130. The platform 102 and the tower 104 include modular sections 124 are coupled to each other via connections 200. For example, the base 106 and the support 112 include a plurality of modular sections 124 with each of the modular sections 124 connected to each other via one or more connections 200. While one connection between each modular section 124 is shown, multiple connections 200 may be utilized between modular sections 124 according to the layout 418.

[0022] As shown in FIGS. 1A-1C, the tower 104 includes 11 modular sections 124. The columns 108 are connected to external modular sections 124 of the base 106. Each of the top beams 110 and the bottom beams 114 include modular sections 124 connected to each other via the connections 200. The base 106 includes a base sections of the plurality of modular sections 124. The columns 108 are connected to external base sections of the base 106. At least one of the top beams 110 and bottom beams 114 include beam section of the plurality of modular sections 124. A first external beam section of the beams is connected to the columns 108 and a second external beam section of the beams is connected to the support 112. The tower shaft 118 has tower sections of the plurality of modular sections 124. An external tower section is connected to the support 112. Cable structures 132 or fasteners 206 may be used interchangeably according to

the layout **418** of the plurality of modular sections **124** and the connections **200** for the final model platform **416** and a final model tower **417**.

**[0023]** The utilization of the ACC material **130**, modularity of the semi-submersible wind turbine platform **100** provided by the plurality of modular sections **124** of ACC material **130**, and the method **300** of manufacturing the semi-submersible wind turbine platforms from ACC material **130** provides for semi-submersible wind turbine platforms optimized with longevity, design freedom, form factor freedom, inertness, ductility, high fatigue life, freeze/thaw, reduced maintenance, reduced element size, imperviousness, and portable construction. In some embodiments, connection points **131** between the base **106** and the columns **108**, the beams (top beams **110** and bottom beams **114**) and the columns **108**, and the beams and the support **112** are anticlastic. The anticlastic connection points **131** resulting from the method **300** described herein provide for increased stability and the ability to support greater loads. The semi-submersible wind turbine platform **100** may not require pre-stressing or post-tensioning as a result of the tension control and compression control of the ACC material **130**. Hydrogen production elements may be integrated directly into the semi-submersible wind turbine platforms described herein.

**[0024]** The semi-submersible wind turbine platform **100** includes a waterline of about 20 meters (m) to about 40 m from the base **106**, a center of gravity of about 15 meters (m) to about 30 m from the base **106**, a diameter of the base **106** of about 90 m to about 120 m, a height from the tower **104** of about 100 m to about 200 m. The semi-submersible wind turbine platform **100** has a total mass of about 3,500 tons to about 10,000 tons.

**[0025]** FIG. 2A is a schematic view of a connection **200**. FIG. 2B is a schematic, cross-sectional view of the connection **200**. The connection **200** includes a first recess **202A** disposed in wall **126** of a first end **204A** of a first section **124A** and a second recess **202B** disposed in the wall **126** of a second end **204B** of a second section **124B**. As shown in FIG. 2B, a fastener **206** is disposed through a first flange **208A** of the first end **204A** and a second flange **208B** of the second end **204B**. The fastener **206** may include a bolt, a threaded rod, a rivet, a weld, or the like. The first section **124A** and the second section **124B** may be further sealed by a seal, an O-ring, a gasket, a sealant, or an adhesive between connecting surfaces **210** of the first end **204A** and the second end **204B**. A cover **214** may be disposed in the first recess **202A** and the second recess **202B**, where only one cover **214** in the first recess **202A** is shown to assist in the description.

**[0026]** FIG. 3 is a flow diagram of a method **400** of manufacturing semi-submersible wind turbine platforms from ACC material. FIGS. 4A-4F are schematic illustrations view iterations of a design of the semi-submersible wind turbine platform **100**. At operation **301**, as shown in FIG. 4A of a first iteration **401**, topological outputs are determined. Example, topological outputs include a maximum weight, wind load cases, a minimum global stress, a base diameter, a center of gravity, and a mass. At operation **302**, additional iterations **402**, **403**, **404**, **405** are subjected to simulations, such as stress simulations. Operation **302** is repeated until a final iteration **406** is obtained that conforms to the topological outputs and meets the simulation standards. Examples of simulation standards include off-shore wind loading and hydrodynamic waving loading.

**[0027]** A second iteration **402**, as shown in FIG. 4B, includes a second model platform **408** of the platform **102** and a second model tower **409** of the tower **104**. The second iteration **303** is subjected to a second simulation to obtain a third iteration **403**, as shown in FIG. 4C. The third iteration **403** includes a third model platform **410** of the platform **102** and a third model tower **411** of the tower **104**. The third model platform **410** and the third model tower **411** include components and/or component dimensions different than the second model platform **408** and the second model tower **409**, respectively, to obtain the final design of the platform **102** and the tower **104** of the semi-submersible wind turbine platform **100**. The third iteration **403** is subjected to a third simulation to obtain a fourth iteration **404**, as shown in FIG. 4D. The fourth iteration **404** includes a fourth model platform **412** of the platform **102** and a fourth model tower **413** of the tower **104**. The fourth model platform **412** and the fourth model tower **413** include components and/or component dimensions different than the third model platform **410** and the third model tower **411**, respectively, to obtain the final design of the platform **102** and the tower **104** of the semi-submersible wind turbine platform **100**. The fourth iteration **404** is subjected to a fourth simulation to obtain a fifth iteration **405**, as shown in FIG. 4E. The fifth iteration **405** includes a fifth model platform **414** of the platform **102** and a fourth model tower **415** of the tower **104**. The fifth model platform **414** and the fifth model tower **415** include components and/or component dimensions different than the fourth model platform **412** and the fourth model tower **413**, respectively, to obtain the final design of the platform **102** and the tower **104** of the semi-submersible wind turbine platform **100**.

**[0028]** The fifth iteration **405** is subjected to a fifth simulation to obtain the final iteration **406**, as shown in FIG. 4F. The final iteration **406** corresponds to a design for the semi-submersible wind turbine platform **100**. The final iteration **406** includes a final model platform **416** corresponding to the platform **102** and a final model tower **417** corresponding to the tower **104** of the semi-submersible wind turbine platform **100**, as shown in of FIGS. 1A-1C and described herein. The final iteration **406** further includes the modular sections **124** of the platform **102** and the tower **104**. The final model platform **416** and the final model tower **417** including a layout **418** of the plurality of modular sections **124** and connections for the platform **102** and the tower **104**. The modularity of the semi-submersible wind turbine platform **100** provided by the plurality of modular sections **124** allows iterative fabrication of the wind turbine platform **100**.

**[0029]** At operation **203**, the semi-submersible wind turbine platform **100** is manufactured from ACC material **130**. First, the modular sections **124** of ACC material **130** are fabricated. The fabricating the modular sections **124** utilizes cable net structures, false works, free-form structures, form-works, membranes, or combinations thereof to guide the deposition of the ACC material according to the final model platform **416** and the final model tower **417**. The free-form structures, form-works or the like may be 3D-printed. In another embodiment, which can be combined with other embodiments described herein, the ACC material is 3D-printed. When the ACC material is 3D-printed cable net structures, false works, free-form structures, form-works, membranes, or combinations thereof may be utilized. Second, the modular sections **124** are coupled together with the

connections **200** according to layout **418** of the final model platform **416** and the final model tower **417**.

**[0030]** In summation, semi-submersible wind turbine platforms capable of floating on a body of water and supporting wind turbines, and a method of manufacturing the semi-submersible wind turbine platforms from ACC material are described herein. The utilization of method described herein provides for cost-effective fabrication of semisubmersible wind turbine platforms usable at locations offshore with depths greater than 60 meters resulting from iterative design and ACC material.

**[0031]** While the foregoing is directed to examples of the present disclosure, other and further examples of the disclosure may be devised without departing from the basic scope thereof, and the scope thereof is determined by the claims that follow.

What is claimed is:

**1.** A method of manufacturing a wind turbine platform, comprising:

determining at a first iteration topological outputs of the wind turbine platform including a plurality of modular sections consisting of an advanced cementitious composite (ACC) material, the topological outputs including one or more of a maximum weight, wind load cases, a minimum global stress, a base diameter, a center of gravity, or a mass;

obtaining a second iteration from the topological outputs, the second iteration including a second model platform and a second model tower of the wind turbine platform;

obtaining a third iteration by subjecting the second iteration to simulation, the second iteration including a third model platform and a third model tower of the wind turbine platform, the third model platform and the third model tower include components or component dimensions different than the second model platform and the second model tower; and

obtaining addition iterations via simulation to attain a final model platform and a final model tower, the final model platform and the final model tower including a layout of the plurality of modular sections and connections for a platform and a tower of the wind turbine platform.

**2.** The method of claim **1**, further comprising:

fabricating the modular sections of ACC material; and  
coupling the modular sections together with the connections according to the layout of the final model platform and the final model tower.

**3.** The method of claim **2**, wherein the platform comprises:

a base comprising a base sections of the plurality of modular sections;

columns connected to external base sections of the base; and

a support connected to the columns via beams, wherein a first external beam section is connected to the columns and a second external beam section of the beams is connected to the support.

**4.** The method of claim **3**, wherein the platform further comprises a tower shaft, the tower shaft has tower sections of the plurality of modular sections, an external tower section is connected to the support.

**5.** The method of claim **4**, where at least one rotor blade is coupled to a hub, the hub is outward from the tower shaft or coupled on top of the tower shaft.

**6.** The method of claim **3**, wherein the base has a hollow interior space formed by each of the modular sections connected together.

**7.** The method of claim **3**, wherein connection points between the base and the columns, the beams and the columns, and the beams and the support are anticlastic.

**8.** The method of claim **2**, wherein the connections comprise a fastener or a cable structure.

**9.** The method of claim **8**, wherein cable structures are utilized for a pre-stressing process or a post-tensioning process for the fabricating the modular sections or for the coupling the modular sections.

**10.** The method of claim **8**, wherein the fastener comprises a bolt, a threaded rod, a rivet, or a weld.

**11.** The method of claim **2**, wherein the fabricating the modular sections comprises utilizing false works, free-form structures, form-works, membranes, or combinations thereof to guide deposition of the ACC material.

**12.** The method of claim **1**, wherein the ACC material includes fiber-reinforced high-performance concrete (FRHPC), high-performance fiber reinforced cement composite (HPFRCC), macro defect free (MDF) concrete, multi-scale fiber-reinforced concrete (MSFRC), reactive powder concrete (RPC), steel fibrous cement-based composite (SFCBC), ultra-high performance concrete (UHPC), ultra-high performance fiber-reinforced cementitious composite (UHPFRCC), ultra-high performance fiber-reinforced concrete (UHPFRC), ultra-high strength concrete (UHSC), ultra-high strength cement-based composite, ultra-high strength cementitious material, ultra-high strength fiber-reinforced cementitious composite, or combinations thereof.

**13.** A method of manufacturing a wind turbine platform, comprising:

determining at a first iteration topological outputs of the wind turbine platform including a plurality of modular sections consisting of an advanced cementitious composite (ACC) material;

obtaining a second iteration from the topological outputs, the second iteration including a second model platform and a second model tower of the wind turbine platform;

obtaining a third iteration by subjecting the second iteration to simulation, the second iteration including a third model platform and a third model tower of the wind turbine platform, the third model platform and the third model tower include components or component dimensions different than the second model platform and the second model tower;

obtaining addition iterations via simulation to attain a final model platform and a final model tower, the final model platform and the final model tower including a layout of the plurality of modular sections and connections for a platform and a tower of the wind turbine platform;

fabricating the modular sections of ACC material; and  
coupling the modular sections together with the connections according to layout of the final model platform and the final model tower.

**14.** The method of claim **13**, wherein the platform comprises:

a base comprising a base sections of the plurality of modular sections;

columns connected to external base sections of the base; and

a support connected to the columns via beams, wherein a first external beam section is connected to the columns and a second external beam section of the beams is connected to the support.

**15.** The method of claim **14**, wherein connection points between the base and the columns, the beams and the columns, and the beams and the support are anticlastic.

**16.** The method of claim **13**, wherein the connections comprise a fastener or a cable structure.

**17.** The method of claim **16**, wherein cable structures are utilized for a pre-stressing process or a post-tensioning process for the fabricating the modular sections or for the coupling the modular sections.

**18.** The method of claim **13**, wherein the fabricating the modular sections comprises utilizing false works, free-form structures, form-works, membranes, or combinations thereof to guide deposition of the ACC material.

**19.** The method of claim **13**, wherein the ACC material includes fiber-reinforced high-performance concrete (FRHPC), high-performance fiber reinforced cement composite (HPFRCC), macro defect free (MDF) concrete, multi-scale fiber-reinforced concrete (MSFRC), reactive powder concrete (RPC), steel fibrous cement-based composite (SFCBC), ultra-high performance concrete (UHPC), ultra-high performance fiber-reinforced cementitious composite (UHPFRCC), ultra-high performance fiber-reinforced concrete (UHPFRC), ultra-high strength concrete (UHSC), ultra-high strength cement-based composite, ultra-high strength cementitious material, ultra-high strength fiber-reinforced cementitious composite, or combinations thereof.

**20.** A method of manufacturing a wind turbine platform, comprising:

determining at a first iteration topological outputs of the wind turbine platform including a plurality of modular sections consisting of an advanced cementitious composite (ACC) material, the topological outputs including one or more of a maximum weight, wind load cases, a minimum global stress, a base diameter, a center of gravity, or a mass;

obtaining a second iteration from the topological outputs, the second iteration including a second model platform and a second model tower of the wind turbine platform;

obtaining a third iteration by subjecting the second iteration to simulation, the second iteration including a third model platform and a third model tower of the wind turbine platform, the third model platform and the third model tower include components or component dimensions different than the second model platform and the second model tower;

obtaining addition iterations via simulation to attain a final model platform and a final model tower, the final model platform and the final model tower including a layout of the plurality of modular sections and connections for a platform and a tower of the wind turbine platform;

fabricating the modular sections of ACC material; and coupling the modular sections together with the connections according to layout of the final model platform and the final model tower.

\* \* \* \* \*